

ZF 4650 A

8° Down angle, direct or remote mount marine transmission.

Description

- 3 shaft, reverse reduction transmission with hydraulic clutch mounted on the input shaft and another one mounted on the reverse shaft. Input drive on opposite side to output drive.
- Non-reversing BU version also available .
- Fully works tested, reliable and simple to install .
- Suitable for high performance applications in all types of fast craft, luxury motoryachts, patrol vessels, crew-boats etc .
- Design, manufacture and quality control standards comply with ISO 9001 and AQAP .
- Compatible with all types of engines and propulsion systems, including waterjets and surface-piercing propellers and cpps .

Features

- Lightweight and robust aluminum alloy casing (sea water resistant) .
- Case hardened and precisely ground gear teeth for long life and smooth running .
- Output shaft thrust bearing designed to take maximum propeller thrust astern and ahead .
- Smooth and reliable hydraulic shifting with control lever for attachment of push-pull cable or other operating system .
- Compact, space-saving design, complete with integral oil cooler, pump and full-flow filter .
- Suitable for multi engine installation (same ratio and torque capacity engine wise or counter engine wise .

Options

- Engine-matched torsional coupling .
- Mounting brackets for rigid connection to foundation or elastic mounting brackets .
- Trolling valve for slow-speed drive .
- Propeller shaft flange and coupling bolt sets .
- SAE 0 or SAE. 00 bell housings .
- Monitoring kit .
- Trailing pump .
- PTO (live) .
- Electric clutch control (24 VDC) .
- PTI (second input drive) .
- Classification by all major Classification Societies on request .
- "AUTOTROLL" .

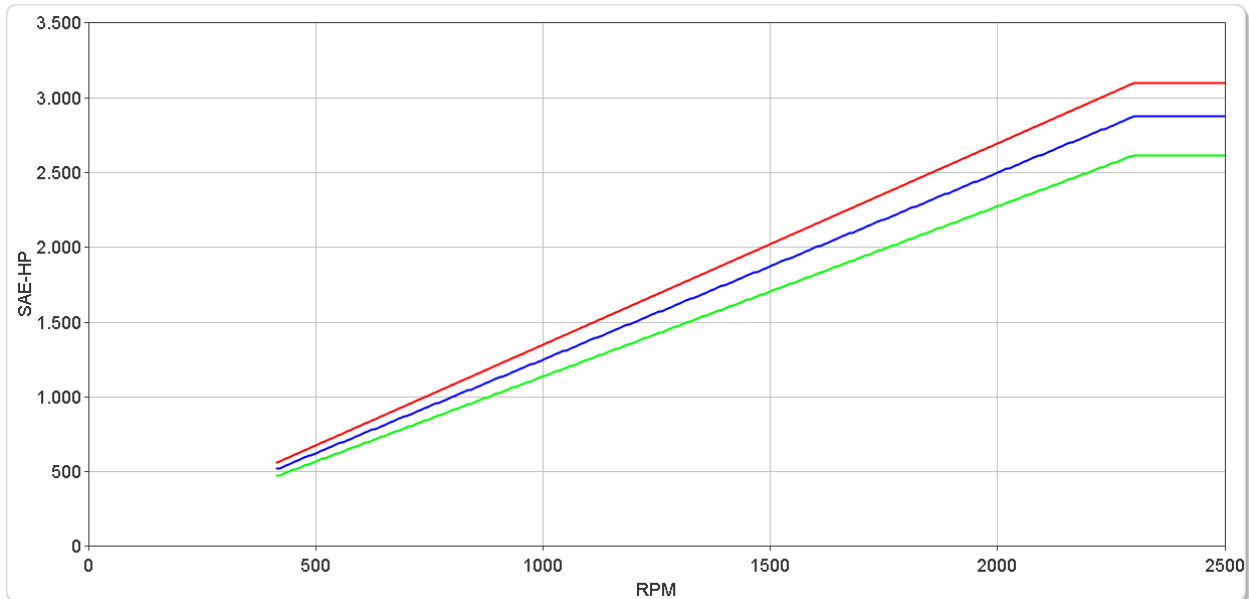
ZF 4650 A

Ratings

Pleasure Duty

RATIOS	MAX. TORQUE		POWER/RPM		INPUT POWER CAPACITY						MAX. RPM
	Nm	ftlb	kW	hp	1800 rpm		2100 rpm		2300 rpm		
					kW	hp	kW	hp	kW	hp	
■ 1.320*, 1.512*, 1.757*, 2.029, 2.250*, 2.467, 2.714*, 3.040	9600	7081	1.0052	1.3480	1809	2426	2111	2831	2312	3100	2500
■ 3.250*	8900	6564	0.9319	1.2497	1677	2250	1957	2624	2143	2874	2500
■ 3.478*	8101	5975	0.8483	1.1376	1527	2048	1781	2389	1951	2616	2500

* Special Order Ratio.



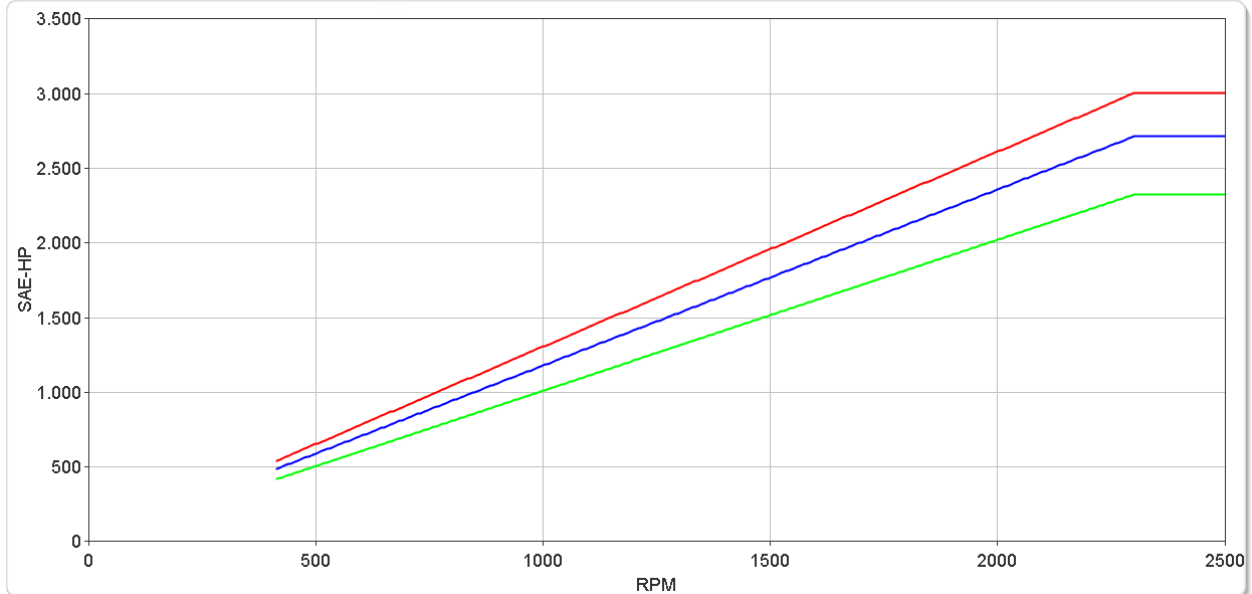
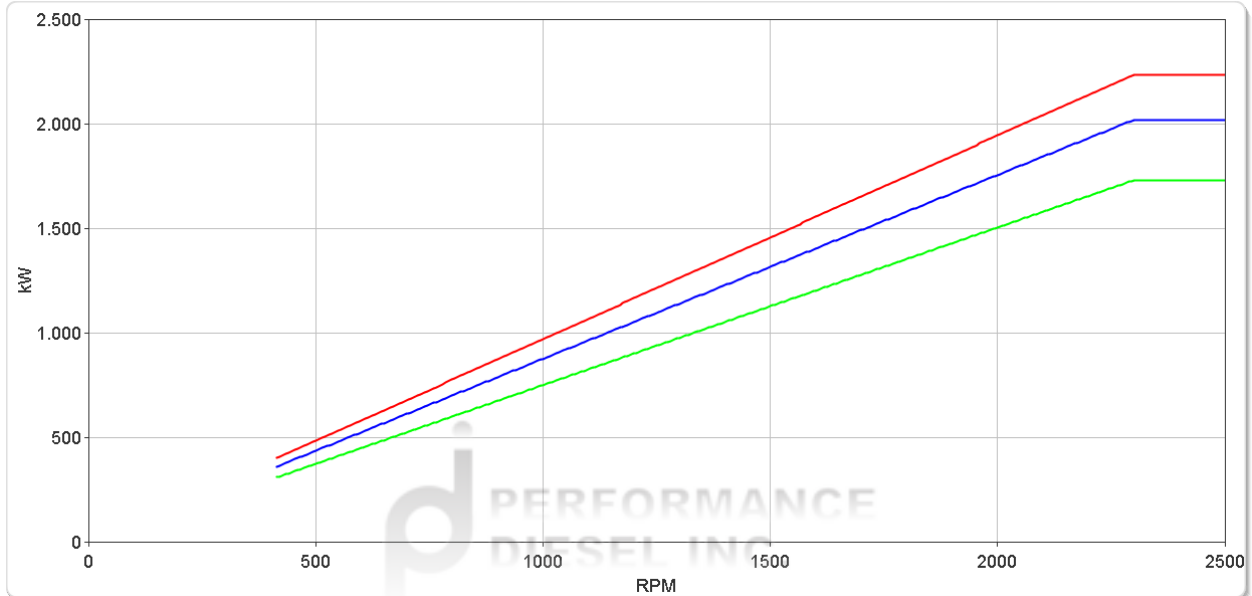
ZF 4650 A

Ratings

Light Duty

	RATIOS	MAX. TORQUE		POWER/RPM		INPUT POWER CAPACITY						MAX. RPM
		Nm	ftlb	kW	hp	1800 rpm		2100 rpm		2300 rpm		
						kW	hp	kW	hp	kW	hp	
■	1.320*, 2.467, 2.714*, 1.512*, 1.757*, 2.029, 2.250*, 3.040	9300	6859	0.9738	1.3059	1753	2351	2045	2742	2240	3004	2500
■	3.250*	8400	6196	0.8796	1.1795	1583	2123	1847	2477	2023	2713	2500
■	3.478*	7200	5310	0.7539	1.0110	1357	1820	1583	2123	1734	2325	2500

* Special Order Ratio.



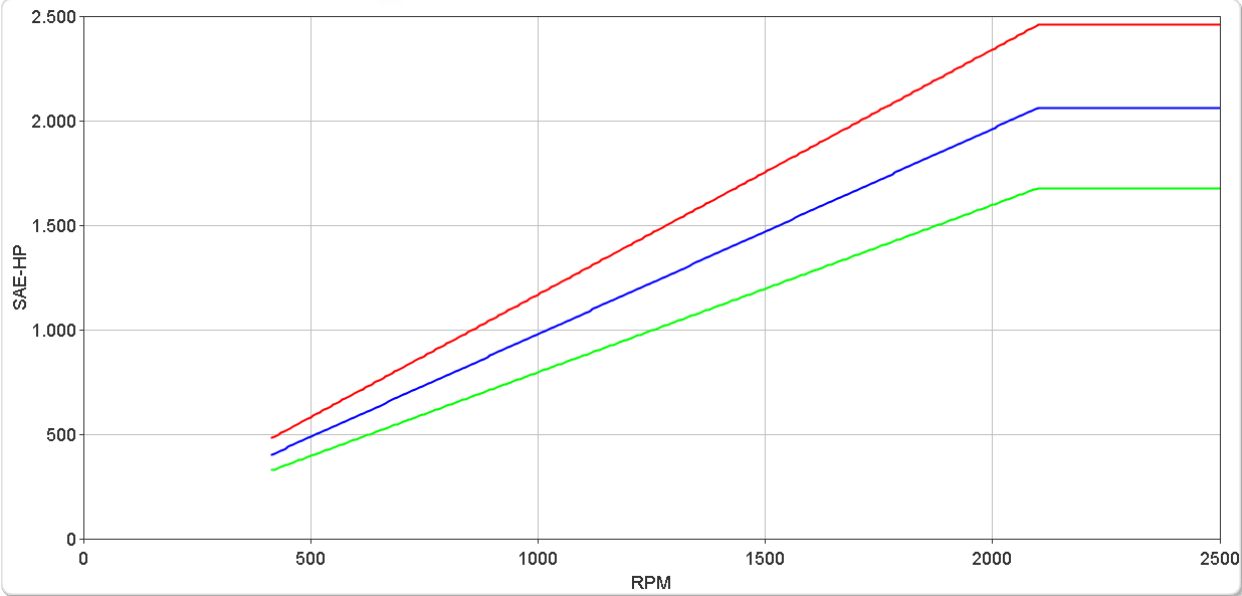
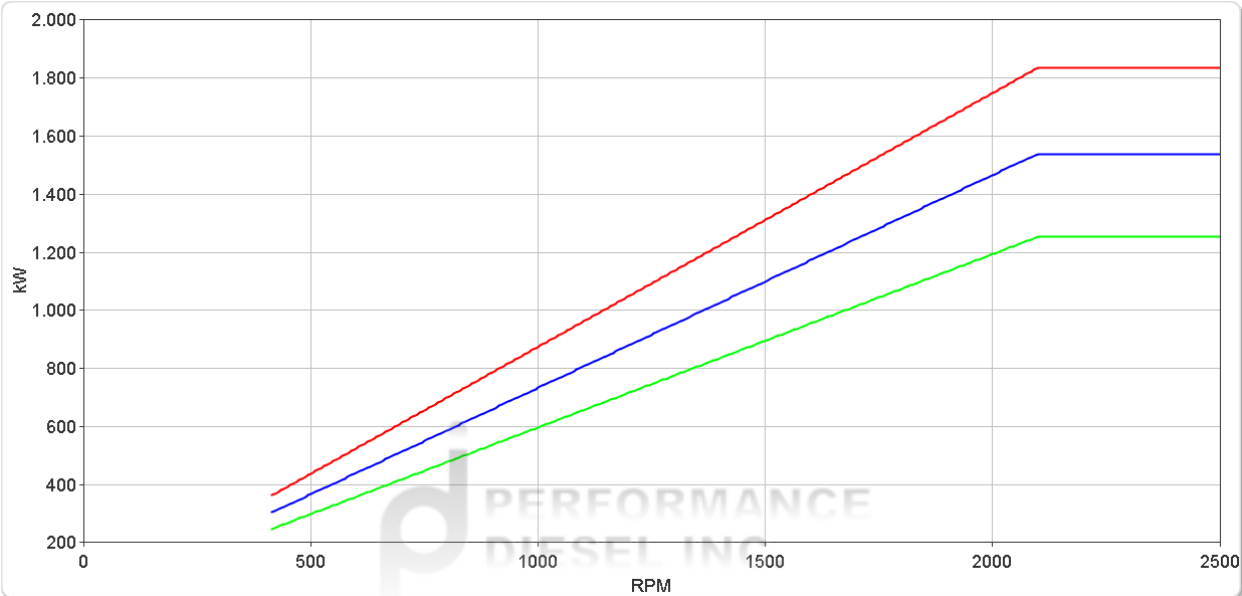
ZF 4650 A

Ratings

Medium Duty

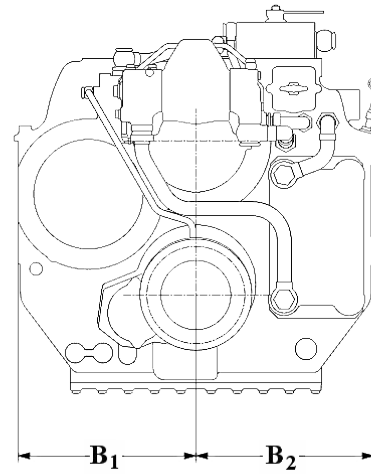
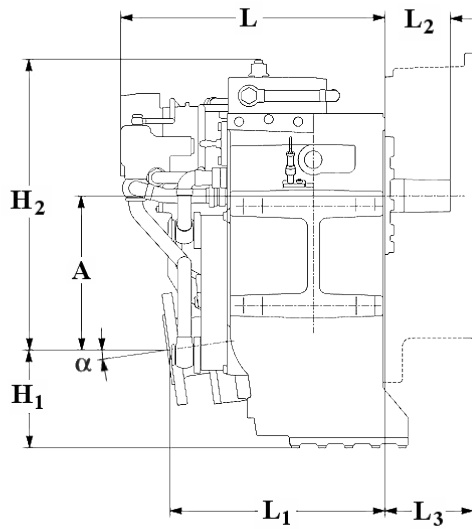
RATIOS	MAX. TORQUE		POWER/RPM		INPUT POWER CAPACITY						MAX. RPM
	Nm	ftlb	kW	hp	1800 rpm		1900 rpm		2100 rpm		
					kW	hp	kW	hp	kW	hp	
■ 1.320*, 1.512*, 1.757*, 2.029, 2.250*, 2.467, 2.714*, 3.040	8350	6159	0.8743	1.1725	1574	2111	1661	2228	1836	2462	2500
■ 3.250*	7001	5164	0.7331	0.9831	1320	1770	1393	1868	1539	2064	2500
■ 3.478*	5701	4205	0.5970	0.8005	1075	1441	1134	1521	1254	1681	2500

*Special Order Ratio.



ZF 4650 A

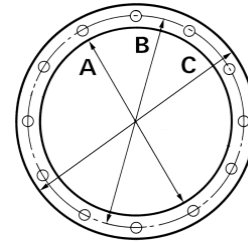
Dimensions



mm (inches)										
Angle	A	B ₁	B ₂	H ₁	H ₂	L	L ₁	L ₂	L ₃	Bell Hsg.
8.0	385 (15.1)	445 (17.5)	445 (17.5)	247 (9.72)	726 (28.6)	867 (34.1)	539 (21.2)	162 (6.38)	220 (8.66)	0
Weight kg (lb)					Oil Capacity Litre (US qt)					
799 (1,760)					45.0 (47.7)					

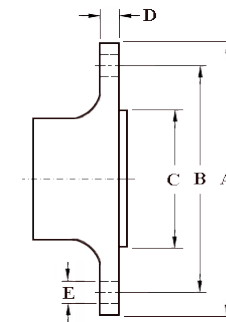
SAE Bell Housing Dimensions

SAE No.	A		B		C		Bolt Holes		
	mm	in	mm	in	mm	in	No.	Diameter	
	mm	in	mm	in	mm	in	No.	mm	in
00	787.4	31	850.9	33.5	882.65	34.75	16	13.49	17/32
0	647.7	25.5	679.45	26.75	711.2	28.0	16	13.49	17/32



Output Coupling Dimensions

A		B		C		D		Bolt Holes		
mm	in	mm	in	mm	in	mm	in	No.	Diameter (E)	
mm	in	mm	in	mm	in	mm	in	No.	mm	in
280	11.0	245	9.65	175	6.89	25.0	0.98	16	22.2	0.87



Duty Definitions

PLEASURE DUTY DEFINITION	Highly intermittent operation with very large variations in engine speed and power
Average engine operating hours limit:	500 hours/year 300 hours/year for mechanical gearboxes
Typical hull forms:	Planing.
Typical applications:	Private, non-commercial, non-charter sport/leisure activities.
LIGHT DUTY DEFINITION	Intermittent operation with large variations in engine speed and power
Average engine operating hours limit:	2500 hours/year (for hydraulic gearboxes smaller than the ZF 650 series, 2000 hours/year).
Typical hull forms:	Planing and semi-displacement.
Typical applications:	Private and charter, sport/leisure activities, naval and police activities.
MEDIUM DUTY DEFINITION	Intermittent operation with some variations in engine speed and power
Average engine operating hours limit:	4000 hours/year. 3500 hours/year for gearboxes smaller than ZF 2000 series and workboat ZF W2700 series.
Typical hull forms:	Semi-displacement and displacement
Typical applications:	Charter and commercial craft (example: crew boats and fast ferries), and naval and police activities.

Duty Ratings

Ratings apply to marine diesel engines at the indicated speeds. At other engine speeds, the respective power capacity (kW) of the transmission can be obtained by multiplying the Power/Speed ratio by the speed.

Approximate conversion factors:

1 kW = 1.36 metric hp

1 kW = 1.34 U.S. hp (SAE)

1 U.S. hp = 1.014 metric hp

1 Nm = 0.74 lb.ft.

Ratings apply to right hand turning engines, i.e. engines having counterclockwise rotating flywheels when viewing the flywheel end of the engine.

These ratings allow full power through forward and reverse gear trains, unless otherwise stated.

Contact your nearest ZF Sales and Service office for ratings applicable to gas turbines, gasoline (petrol) engines, as well as left hand turning engines, and marine transmissions for large horsepower capacity engines.

Ratings apply to marine transmissions currently in production or in development and are subject to change without prior notice.

NOTE: THE MAXIMUM RATED INPUT POWER MUST NOT BE EXCEEDED (SEE RESPECTIVE RATINGS IN THE TECHNICAL DATA SHEETS)

Safe Operating Notice

The safe operation of ZF products depends upon adherence to technical data presented in our brochures. Safe operation also depends upon proper installation, operation and routine maintenance and inspection under prevailing conditions and recommendations set forth by ZF. Damage to transmission caused by repeated or continuous emergency manoeuvres or abnormal operation is not covered under warranty. It is the responsibility of users and not ZF to provide and install guards and safety devices, which may be required by recognized safety standards of the respective country (e.g. for U.S.A. the Occupational Safety Act of 1970 and its subsequent provisions).

Monitoring Notice

The safe operation of ZF products depends upon adherence to ZF monitoring recommendations presented in our operating manuals, etc. It is the responsibility of users and not ZF to provide and install monitoring devices and safety interlock systems as may be deemed prudent by ZF. Consult ZF for details and recommendations.

Torsional Responsibility and Torsional Couplings

The responsibility for ensuring torsional compatibility rests with the assembler of the drive and driven equipment. ZF can accept no liability for gearbox noise caused by vibrations or for damage to the gearbox, the flexible coupling or to other parts of the drive unit caused by this kind of vibration. Contact ZF for further information and assistance. ZF recommends the use of a torsional limit stop for single engine powered boats, wherein loss of propulsion power can result in loss of control. It is the buyer's responsibility to specify this option, which can result in additional cost and a possible increase in installation length.

ZF can accept no liability for personal injury, loss of life, or damage or loss of property due to the failure of the buyer to specify a torsional limit stop. ZF selects torsional couplings on the basis of nominal input torque ratings and commonly accepted rated engine governed speeds. Consult ZF for details concerning speed limits of standard offering torsional couplings, which can be less than the transmission limit. Special torsional couplings may be required for Survey Society Ice Classification requirements.